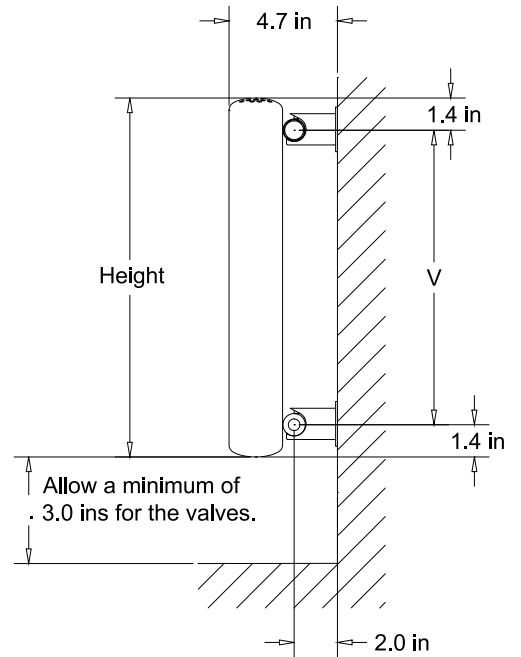
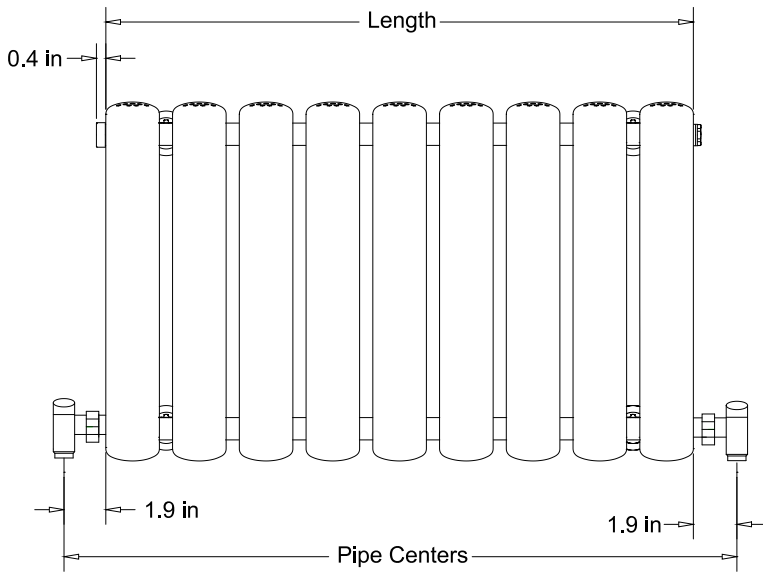
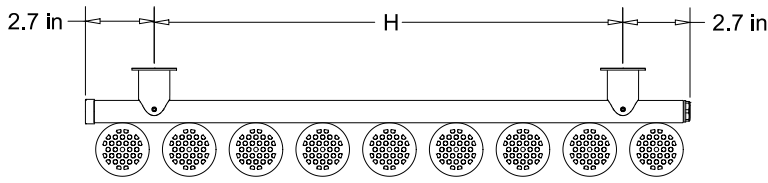


SPECIFICATION DATA

SETA



Test pressure: 174 P.S.I.
 Max working pressure: 116 P.S.I.
 Max working temperature : 200 °F
 Connections: 1 / 2 inch **BSP** rear tapplings, angle valves with 1 / 2 inch **NPT** female to pipe included.

For closed loop hot water systems only.
 Not for use on domestic hot water system.

MODEL	HEIGHT	LENGTH	PIPE CENTERS	BRACKET CENTERS	
				V	H
SE 60-66	23.6 in	26.0 in	29.8in	19.7 in	20.7 in
SE 60-88	23.6 in	34.8 in	38.6 in	19.7 in	29.5 in