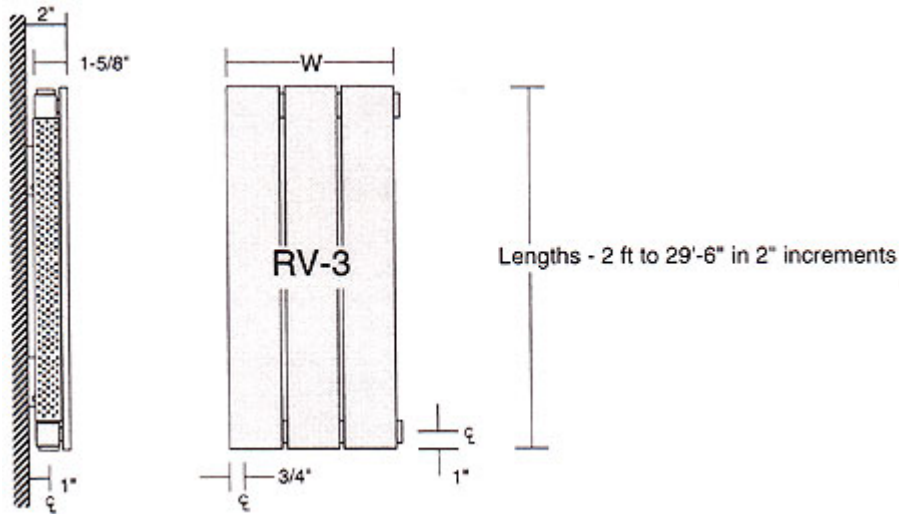


Model Type RV Quick Specifications



RV-3 with Both Side & Vertical Connections - Shown for Example Only

Panel Radiator Specification

- Radiators are manufactured of cold rolled low carbon steel, fully welded and consisting of header pipes at each end, connected by flat oval water tubes.
- Three tube thicknesses are available:
 - Standard Pressure - 0.048" min wall thickness
 - Medium Pressure - 0.058" min wall thickness
 - High Pressure - 0.078" min wall thickness
- Radiator header pipes are square 0.109" min wall thickness and include all necessary supply, return, and air vent connections. Internal baffling is provided as required.
- Standard piping connections are 1/2" NPT taper threaded sockets, located in either side, or vertical positions. Optional 3/4" NPT connections are available. Air vent connections are 1/8" NPT taper threaded sockets.
- Three working pressures are available:
 - Standard Pressure - 56 psi max (Tested at 74 psi)
 - Medium Pressure - 85 psi max (Tested at 110 psi)
 - High Pressure - 128 psi max (Tested at 184 psi)
- Radiator expansion does not exceed 0.016 inch per linear foot at 215°F. Expansion compensation to be provided in the piping as required, by others.
- Radiators are cleaned and phosphatized in preparation for the powder coat finish.
- Radiators are painted with a gloss powder coat finish, for a total paint thickness of 2 to 3 mils (0.002"-0.003").
- Color of the finish paint shall be selected from available standard or optional colors prior to ordering.
- A gray primer powder coat finish is available as a base coat for a custom paint finish by others.
- Wall mounting brackets are provided with radiators, unless floor posts are specified.
- Necessary wall support blocking for proper radiator mounting shall be by others.
- Radiators are manufactured in the USA to the sizes, capacities, and quantities as shown on the plans and schedules.