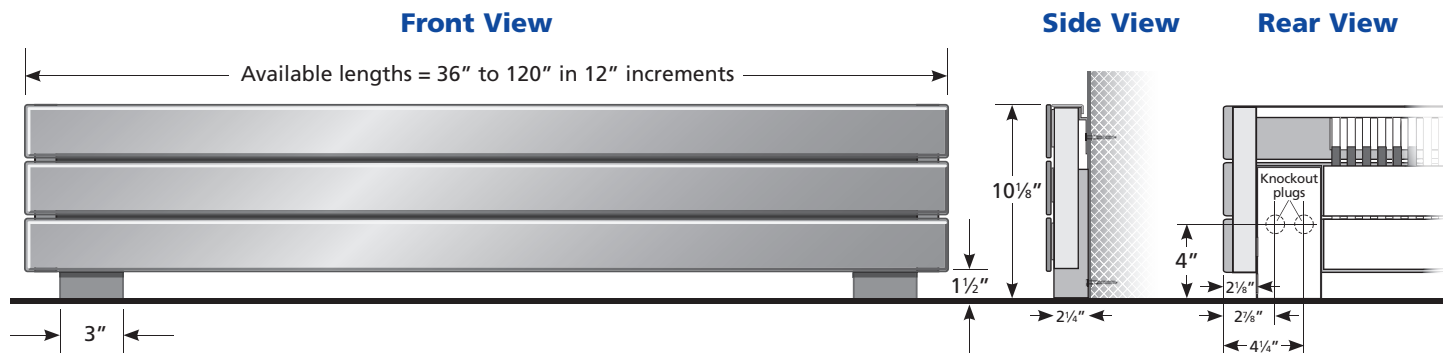


Runtal[®] Electric Baseboard

OWNER'S MANUAL & INSTALLATION INSTRUCTIONS

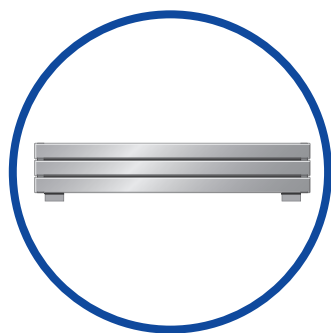


Thank you for purchasing the Runtal Electric Baseboard. We are very proud of our workmanship and quality, and we are certain that you will be thoroughly satisfied with your new Runtal Electric Baseboard. We urge you to contact your local Runtal representative if you have comments or questions. This manual is intended to show installation and care for your Runtal Electric Baseboard. The electrical wiring connections must be made by a qualified professional electrician. Wiring procedures and connections should be in accordance with the National Electric Code (NEC) and local codes.

The Runtal Electric Baseboard must be installed against the floor in a horizontal orientation as shown below. The electrical wiring can connect at either end.

Note: Multiple Runtal Electric Baseboards cannot be wired in series, or significant loss of heating will result.

Correct Orientation



Incorrect Orientations



Proper installation requires Runtal Electric Baseboard to rest on its base. No other orientations are acceptable.

CONTENTS:

1 Runtal Electric Baseboard
1 Mounting Hardware Package
1 Owner's Manual

TOOLS REQUIRED:

Screw Drivers
Electric Drill

OPERATING INSTRUCTIONS

1. Runtal Electric Baseboard must be properly installed before it is used.
2. Runtal Electric Baseboard must be connected to a switching device, thermostat relay switch, etc.
3. The heating element and high-limit thermostat should not be tampered with.

MOUNTING & WIRING HARDWARE

The Runtal Electric Baseboard junction boxes which extend down from the bottom of the radiator must be in contact with the floor. The metal mounting clips described in Step 5 keep the radiator from tipping away from the wall, and must be screwed to the wall near each end of the radiator and in the center on longer lengths. The wiring can connect to either end of the baseboard, and wiring connections are made in the junction boxes provided. (See Illustration 1).

STEP 1 DETERMINE THE SUPPLY SIDE

Determine which end of the baseboard you will be connecting the supply wires to and remove the front junction box cover on that end of the baseboard.

STEP 2 DETERMINE THE MOUNTING LOCATION

Determine the heater mounting location on the wall, and then lay the radiator face down on the floor with the feet of the radiator towards the wall. If the floor is a hard surface you may want to lay the radiator down on the foam the radiator came in or on some other soft material.

Note: Do not lean the baseboard against a wall as it may tip over and be damaged.

STEP 3 ATTACH THE CABLE CONNECTOR

Remove the back of the junction box. Remove a knockout plug and attach a cable connector (Romex connector).

STEP 4 CONNECT THE SUPPLY LINES

Disconnect the factory wire connector in the open junction box. These are the heater wires.

- Connect one supply wire to one of the heater wires (white wire).
- Connect the other supply wire to the remaining heater wire (white wire).
- Connect the supply cable ground wire to the green grounding lead in the junction box.

Note: Always connect multiple radiators in parallel.

Note: Do not run wires through the radiator. The radiator is not a UL approved raceway and damage to wires could result.

STEP 5 INSTALL MOUNTING CLIPS

Locate wall studs behind the radiator and attach the appropriate number of metal mounting clips to the wall studs. Place the baseboard top grille over the mounting clips. The top of the mounting clip should be 9.75 inches off of the floor.

STEP 6 ATTACH TO THE WALL

Locate the slots in the back of the junction box and secure a screw through the center of the slots into the wall. Tighten the screws and then back them out one turn. This allows for expansion of the baseboard.

Note: In most cases the wall will have a lower plate to screw to. If this is not the case, a hollow wall anchor should be used.

STEP 7 ATTACH JUNCTION BOX COVER

Install the front cover on the junction box.

STEP 8 CONNECT THE THERMOSTAT

Connect a thermostat and/or relay to the baseboard and connect to the circuit breaker load center.

Illustration 2

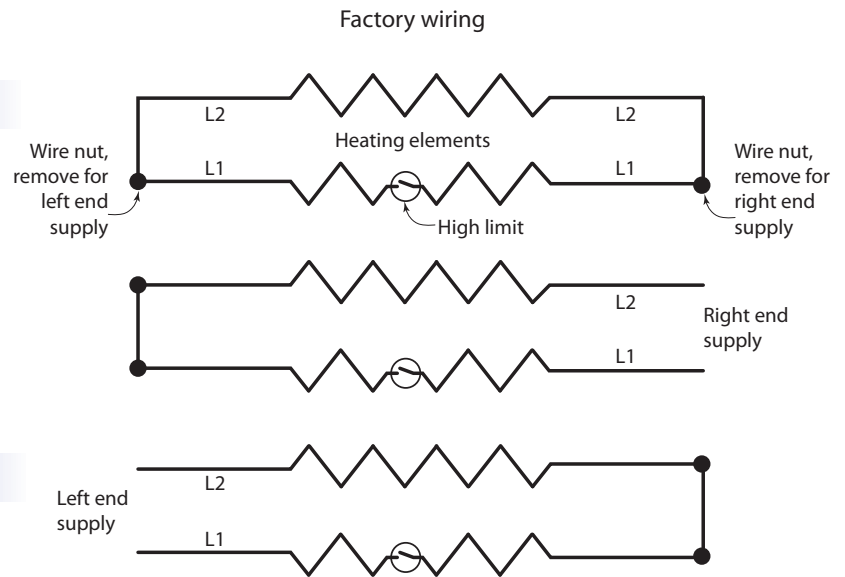
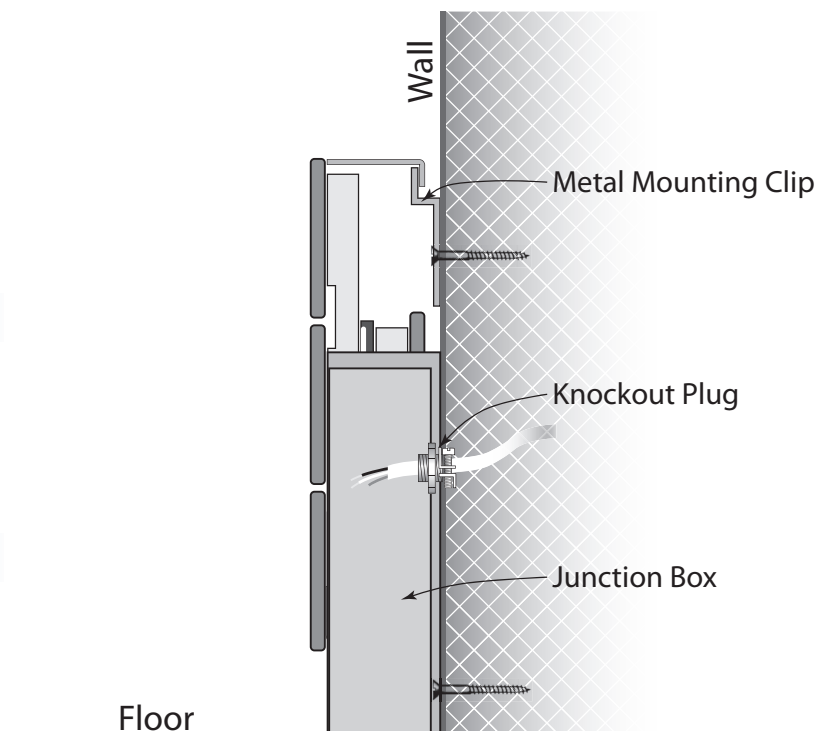


Illustration 3

Side View and Mounting Detail



OPERATION & MAINTENANCE

MAXIMUM WATTAGE ON A CIRCUIT

For installation of multiple electric baseboard radiators, the following chart should be used. The chart indicates supply voltage, circuit breaker rating, minimum wire size, and maximum total wattage of electric baseboard radiators on the circuit.

Voltage A.C.	Circuit Breaker Size	Maximum Wattage	Wire Size
208	15 Amp	2496	14/2 with Ground
208	20 Amp	3328	12/2 with Ground
208	30 Amp	4992	10/2 with Ground
240	15 Amp	2880	14/2 with Ground
240	20 Amp	3840	12/2 with Ground
240	30 Amp	5760	10/2 with Ground

MAINTENANCE

Your Runtal Electric Baseboard has been designed to require the absolute minimum maintenance and care under normal use. However, care should be taken when cleaning the surface of the panel. Periodically vacuum across the top of the grille to remove dust from the grille. A slight odor may be noticeable during initial operation and will dissipate within a few hours.

CLEANING

The baseboard's powder coated finish provides an elegant yet durable finish to a welded steel product. Occasional cleaning of this finish is best done with a water dampened cloth. **Under no circumstances should an abrasive cleaner be used.** Before cleaning make sure the power has been turned off at the circuit breaker panel, and the heating element is cool. Be sure to restore power when cleaning and maintenance is complete. All other servicing should be performed by qualified service personnel.

IMPORTANT INSTRUCTIONS

When using electrical appliances, basic precautions should always be followed to reduce the risk of fire, electric shock, and injury to persons, including the following:

1. Read all instructions before using this heater.
2. A heater has hot and arcing or sparking parts inside. Do not use it in areas where gasoline, paint, or flammable liquids are used or stored.
3. This heater is hot when in use. To avoid burns, do not let bare skin touch hot surfaces. Keep combustible materials, such as furniture, pillows, bedding, papers, clothes, and curtains away from heater.
4. To prevent a possible fire, do not block air intakes or exhaust in any manner. Do not use on soft surfaces, like a bed, where openings may become clogged.
5. Do not insert or allow foreign objects to enter any ventilation or exhaust opening as this may cause an electrical shock or fire, or damage the heater.
6. Use heater only as described in this manual. Any other use not recommended by the manufacturer may cause fire, electric shock, or injury to persons.

7. SAVE THESE INSTRUCTIONS



RUNTAL NORTH AMERICA, INC.

PO Box 8278, 187 Neck Road, Ward Hill, MA 01835 (Haverhill)

Tel: 800-526-2621 ▲ In Canada: 888 829-4901

www.runtalnorthamerica.com

