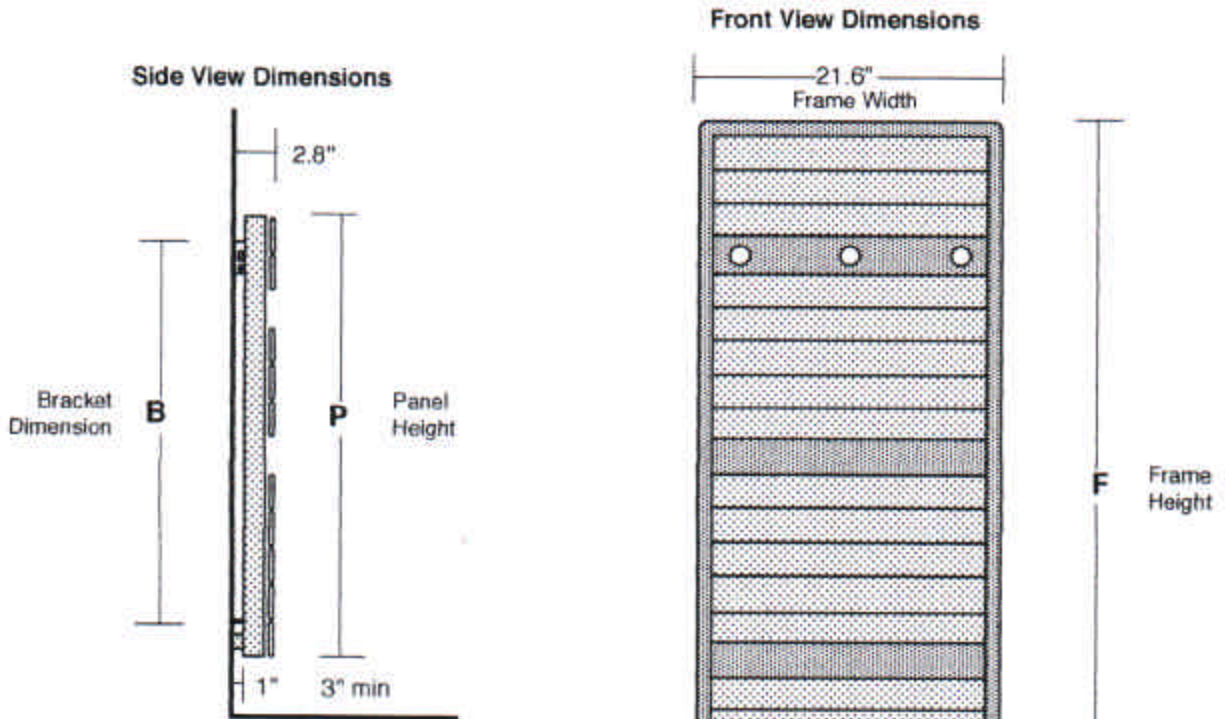
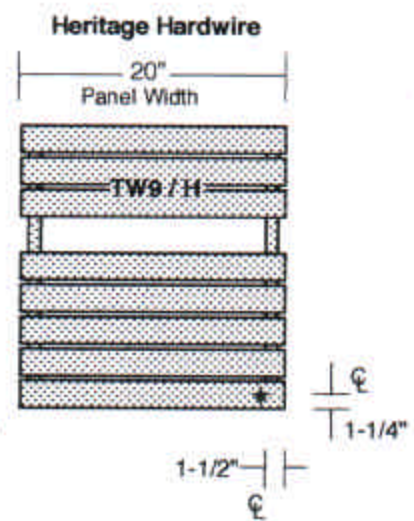
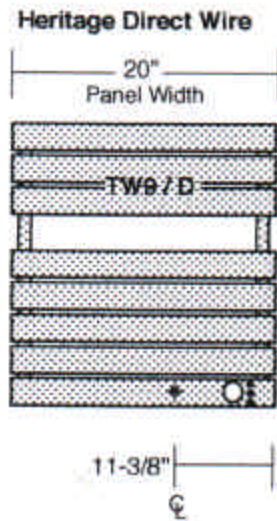
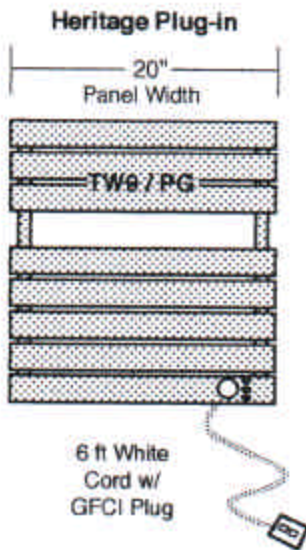


# Electric Heritage Omnipanel Dimensions



Model	P	F	B	Wattage
TW9	26.1 in	27.8 in	24.1 in	250 W
TW12	34.6 in	36.6 in	32.6 in	425 W
TW21	61.0 in	62.8 in	59.0 in	700 W



(TW9 Models shown as the example for all models)